



Electrolux

Modular Cooking Range Line 700XP 6-Burner Gas Range on Large Gas Oven-UK

ITEM # _____

MODEL # _____

NAME # _____

SIS # _____

AIA # _____



Modular Cooking Range Line

700XP 6-Burner Gas Range on Large Gas
Oven-UK

371173 (E7GCGI6CLG)

6-burner (5,5 kW each) gas
range with large gas oven
(9 kW) - UK

Short Form Specification

Item No. _____

To be installed on stainless steel feet with height adjustment up to 50 mm. High efficiency flower flame burners with flame regulator. Flame failure device as standard on burners to protect against accidental extinguishing. Oven chamber with 4 levels of runners. Ribbed oven base plate. Exterior panels of unit in stainless steel with Scotch Brite finish. Pan supports in heavy duty cast iron. One piece pressed work top in 1.5 mm thick stainless steel. Right-angled side edges to allow flush-fitting junction between units.

Main Features

- Unit to be mounted on stainless steel feet with height adjustment up to 50 mm. Unit can be easily mounted on cantilever systems.
- Gas appliance supplied for use with natural or LPG gas, conversion jets supplied as standard.
- Large sized pan support in cast iron (stainless steel as option) with long center fins to allow the use of the largest down to the smallest pans.
- Burners with optimized combustion.
- Flame failure device on each burner protects against gas leakage when accidental extinguishing of the flame occurs.
- Protected pilot light.
- Base compartment consists of a large gas heated standard oven with stainless steel burners and self stabilizing flame positioned beneath the base plate. Oven chamber to have 3 levels of runners to accommodate 2/1 GN shelves (2 steam pans) and ribbed cast iron base plate.
- Oven thermostat adjustable from 120 °C to 280 °C.
- 40 mm thick oven door for heat insulation.
- The special design of the control knob system guarantees against water infiltration.
- IPX5 water protection.

Construction

- Unit is 930 mm deep to give a larger working surface area.
- All exterior panels in Stainless Steel with Scotch Brite finishing.
- AISI 304 stainless steel worktop, 2mm thick.
- Model has right-angled side edges to allow flush fitting joints between units, eliminating gaps and possible dirt traps.

APPROVAL: _____

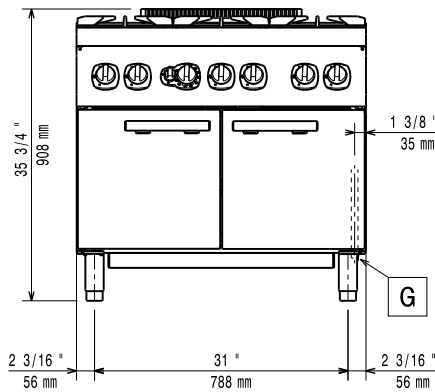
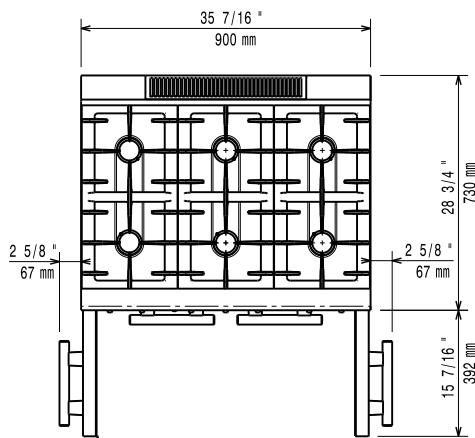


Electrolux

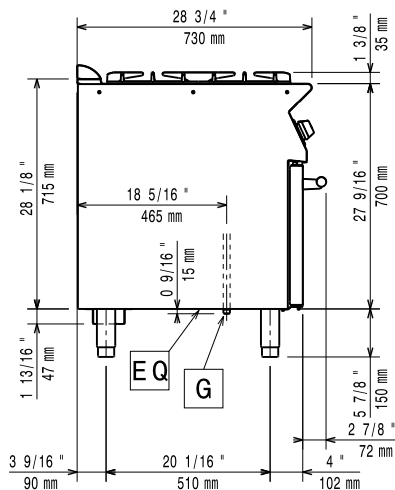
700XP 6-Burner Gas Range on Large Gas Oven-UK
Modular Cooking Range Line

Optional Accessories

- Junction sealing kit PNC 206086
- 4 wheels, 2 swivelling with brake PNC 206135
(700/900XP). It is mandatory to
install with base supports for feet/
wheels.
- Flanged feet kit PNC 206136
- Flue condenser for 1 module, 150 mm PNC 206246
diameter
- Single burner smooth plate for direct PNC 206260
cooking - fits frontal burners only
- Single burner ribbed plate for direct PNC 206261
cooking- fits frontal burners only
- Single burner radiant plate for pan PNC 206264
support
- Pair of side kicking strips for PNC 206265
concrete installation
- Water column with swivel arm PNC 206289
(water column extension not
included)
- Stainless steel double grid for 2 PNC 206297
burners
- Right and left side handrails PNC 206307
- Flue condenser for 1/2 module, 120 PNC 206310
mm diameter
- Wok pan support for open burners PNC 206363
(700/900)
- Base support for feet or wheels PNC 206371
(lateral) for pastacooker
- Rear paneling - 1200mm (700/900) PNC 206376
- 4 wheels, 2 swivelling with brake PNC 206382
(700/900). It is mandatory to install
with base supports for feet/wheels. -
UK
- 2 side covering panels, h=700mm, PNC 216000
d=700mm
- Double burner smooth plate for PNC 921684
direct cooking
- Double burner ribbed plate for PNC 921685
direct cooking
- Pressure regulator for gas units PNC 927225

Front

Top


G = Gas connection

Side


Gas

Gas Power:

371173 (E7GCGI6CLG)

143178 Btu/hr (42 kW)

Standard gas delivery:

Natural Gas G20 (20mbar)

Gas Type Option:

LPG;Town

Gas Inlet:

1/2"

LPG Gas G30/G31 (28-30/37mbar)

Key Information

Front Burners Power

5.5 - 5.5 kW

Back Burners Power

5.5 - 5.5 kW

Middle Burners Power:

5.5 - 0/5.5 - 0 kW

Back Burners Dimension - mm

Ø 60 Ø 60

Front Burners Dimension - mm

Ø 60 Ø 60

Middle Burners Dimension - mm

Ø 60 Ø 60

Oven working Temperature:

110 °C MIN; 300 °C MAX

Oven Cavity Dimensions (width):

760 mm

Oven Cavity Dimensions (height):

390 mm

Oven Cavity Dimensions (depth):

540 mm

Net weight:

97.75 kg

Shipping weight:

115 kg

Shipping height:

1100 mm

Shipping width:

820 mm

Shipping depth:

1000 mm

Shipping volume:

0.9 m³

If appliance is set up or next to or against temperature sensitive furniture or similar, a safety gap of approximately 150 mm should be maintained or some form of heat insulation fitted.